

MECHANOLUMINESCENCE STUDIES OF ZINC SELENIDE DOPED WITH Cu PHOSPHORS

P.K. Dubey¹, Ajay Singh¹, V. Dubey², V. S. Dohare , Dr. S. Kumar

1. Department of Postgraduate studies and Research in Physics and electronics, R.D. University, Jabalpur-482001, State- Madhya Pradesh, INDIA

2. C.P. Girls College, Jabalpur- -482001, State- Madhya Pradesh, INDIA

Introduction

Mechanoluminescence (ML) is a type of luminescence induced by the elastic deformation, plastic deformation and factor of crystal. ML can be excited by compressing, stretching, loading, rubbing, grinding, cutting, cleaving, shaking, scratching, or crushing of solid. It can also be excited by thermal shocks caused by drastic cooling or heating or by shock waves produced during exposure of sample to powerful infrared laser pulses or ultrasonic waves. ML also appears during the deformation caused by the phase – transition or growth of certain crystal as well as during separation of two dissimilar materials in contact.

Luminescence materials have drawn considerable interest and are recently being investigated by the scientists in through the world. Luminescence is the general term for the emission of visible and non visible electromagnetic radiation from a substance during or following the absorption of energy from suitable sources, such as high energy particles, UV radiations, X-rays etc. It generates because radiation is non thermal called “cold light”. Luminescence can be distinguished form thermal radiations as is does not follow Kirchhoff’s and Wein’s Laws. It also differs from Rayleigh and Cerenkov emissions in respect of line delay between excitation and emission. The research on optical properties of luminescent materials has become the topic of both theoretical and experimental interest due to its wide technological importance. Among them Zinc Selenide doped with Cu (ZnSe: Cu) is one of the most important materials. Synthesis of material particles with narrow size distribution imposes a great challenge to the scientists. Different methods have been used, such as thick film, thin film, chemical deposition, vacuum deposition etc. Our ZnSe:Cu phosphors have been synthesized by vacuum deposition and mechanical grinding

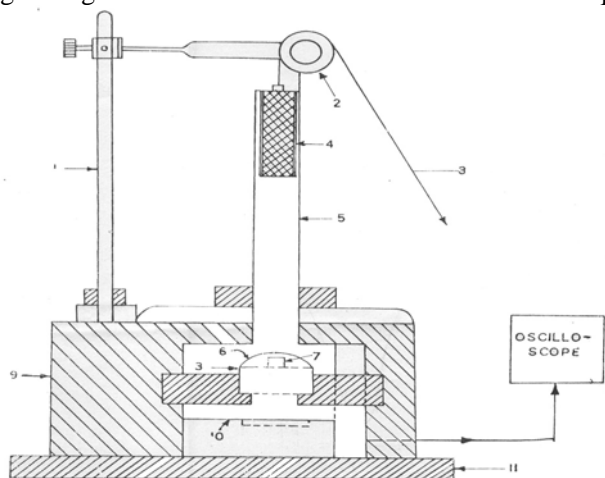


Fig 1. Schematic diagram of the experimental arrangement used for measuring ML.

Experimental

ZnSe:Cu phosphors have been obtained by mixing the ZnSe and CuSO₄.5H₂O in various concentration and placed inside the furnace at 780⁰C for one hour in silica boat. Now the material is cooled gradually with very slow rate.

In order to investigation the Mechano-and Electroluminescence of ZnSe:Cu phosphor, photomultiplier tube (PMT) RCA – 931, grating monochromatic HM-104, wide band amplifier and Aplab Oscillator are used. The emission intensity due to mechano- and electro excitations have been measured with mechano and electro luminescence arrangements, which are shown in fig 1 and 2.

Result

The heavily doped ZnSe: Cu phosphors exhibits intense ML. Fig 3 shows that ML spectra of ZnSe: Cu phosphors similar to EL spectra. No nitrogen emission if found in ML of ZnSe: Cu phosphors. The El spectra do not change considerably with the frequency and strength of the applied electric field. It is found that EL brightness increases with the frequency of the applied electric field. It is known that emission of in ZnSe:Cu phosphor is from 1_G state to the 6_S state of Cu⁺²

The dependence of ML and EL intensity on the concentration in ZnSe: Cu phosphors studies. Fig 2 shows that ML and EL efficiency is maximum for 2480 ppm of Cu Initially the EL brightness increases in activator concentration after a particular concentration of activator the EL brightness decreases with concentration of the activator.

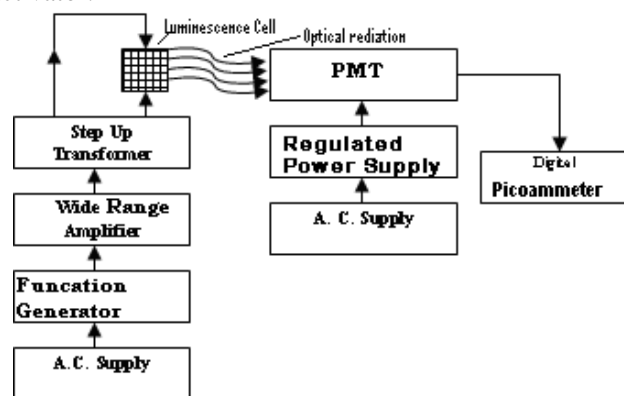


Fig 2. Experimental arrangement for the measurement of brightness of activator concentration

Table I: ML activity of ZnSe:Cu

Cu phosphor with different activator concentration

S. No.	Activator concentration (ppm)	ML activity Normalized with regard to that of ZnSe : Cu (5000 ppm)
1.	100	1.1/12 = 0.09
2.	300	2.3/12 = 0.19
3.	600	2.5/12 = 0.21
4.	1000	3.2/12 = 0.27
5.	5000	4.7/12 = 0.39

Discussion

It is known that activators II – VI compounds exhibit ML during their elastic, plastic and fracture deformation since the ML was excited impulsively in the present investigation, the fracture of phosphors crystallites was the major facts responsible for the ML emission during the impulsive deformation of the phosphors several crystallites were fractured and ML pulse observed was the superposition of the ML response to several mobile cracks in the micro crystallites.

The fact is that ML in ZnSe: Cu phosphor is deformation induced EL, is supported by the following result.

(i) The ML and PL spectra are same.

(ii) The stress (σ) dependence of ML follows the relation.
$$I_{ML} = I_{ML}^0 \exp\left(\frac{C}{\sqrt{\sigma}}\right)$$

(iii) And the voltage dependence EL follows the relation

$$I_{EL} = I_{EL}^0 \exp\left(\frac{C}{\sqrt{V}}\right)$$

(iv) The ML excitation start after a minimum stress and EL excitation after a minimum value of electric field and
(v) both the ML and EL intensities decreases with temperature.

Initially brightness in phosphors increases with the increases in the activator concentration because the number of luminescence centers increase in the phosphors. After a particular concentration of activator, the EL and ML brightness decreases due to concentration quenching according and excited. The Figure 3 shows that ML spectra of phosphors are same EL spectra as well as PL spectra. No nitrogen emission was found in ml of ZnSe: Cu phosphors.

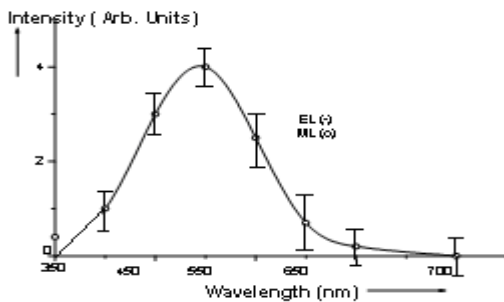


Fig 3. ML (o) and EL (-) spectra of heavily doped ZnSe: Cu phosphor.

Since the crystals of ZnSe: Cu piezoelectric and they also contain charged dislocations. The ML may either be due to the piezoelectrification or it may be due to the movement of charged dislocation or may be due to both processes. For small grain size of phosphors or at low temperature where dislocation can not move during the deformation, the piezoelectric origin of ML should be dominating. When phosphor crushed inside water, they still show ML. this shows that ML should be intrinsic in origin and it should not be related to electrostatic field developed between top and bottom of the phosphors. The ML should be related to the piezoelectric charge developed near the mobile cracks in each individual grain size of micron order. The ML

Excitation should be related to the piezoelectric charge induced due to stress near the lip of the mobile cracks of the phosphor. The field produced during the ML excitation is sufficient to cause ML excitation. Luminescence centre return to ground state with the emission of photon only if there is activator along with the sphere of radius R_0 atom the central activator atom. In other words it is assume that activator atoms interact with each other in such a way that. If the distance between them is similar than R_0 , they quantly each other and turn the probability of radiationless transition. Radiationless transition increases with the increasing concentration of the activator. As such the EL and ML brightness are maximum for a particular concentration of the activator.

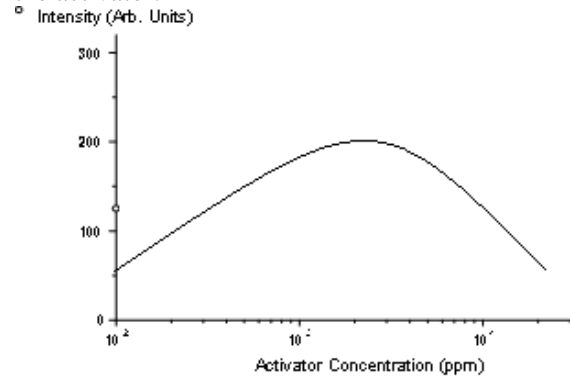


Fig 4. Effect of activator concentration of ZnSe: Cu phosphor.

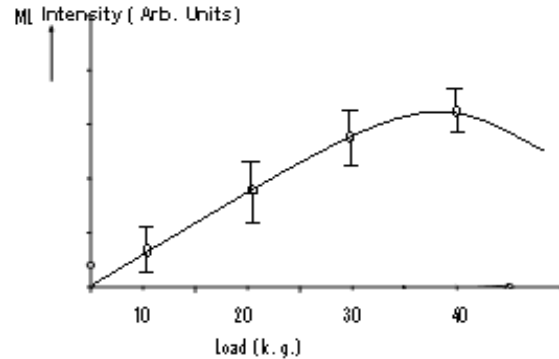


Fig. 5.

Reference

1. H. Yu. Mokarova and K.V. Tanmyshevsky, Experimental studies of ML pulses, Instrument and Experimental Techniques 49, 135 (2006).
2. H. Matsui, Cho Nan Xu et al, Origin of Mechanoluminescence Phys. Rev. B69, 235109 (2004).
3. Ying-Chun Zhu et al, Spontaneous growth and Luminescence of Zinc Sulphide nanobelts, Appl. Phys. Lett. 82, 1769 (2003).
4. B. P. Chandra, P.K. Dubey et al, ML and EL of heavily doped ZnSe: Mn, Phy. State Sol. 97, K59 (1986).
5. ICCE-16 Kunming China 2008